

STUDER REVOX

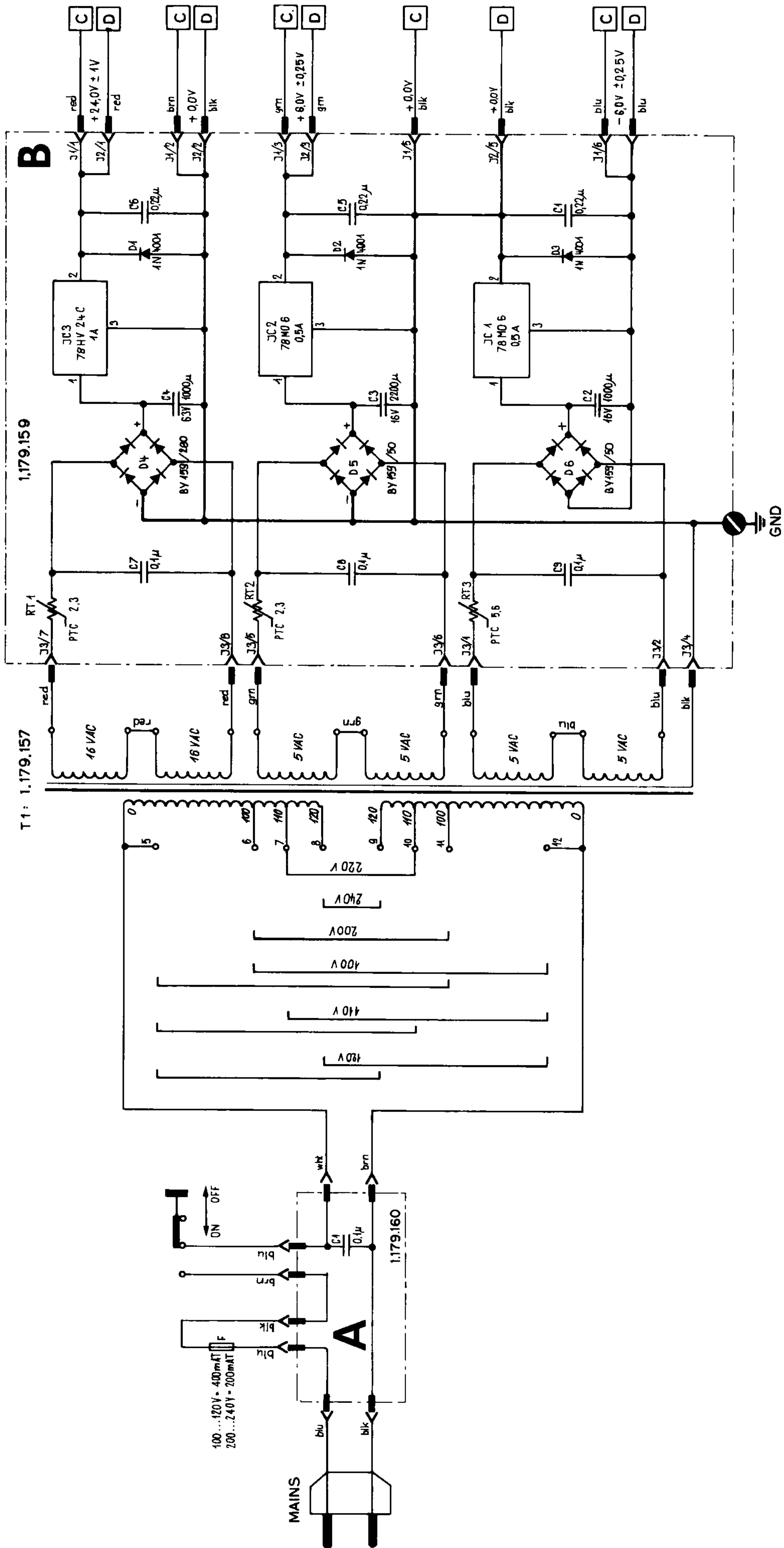
B 790

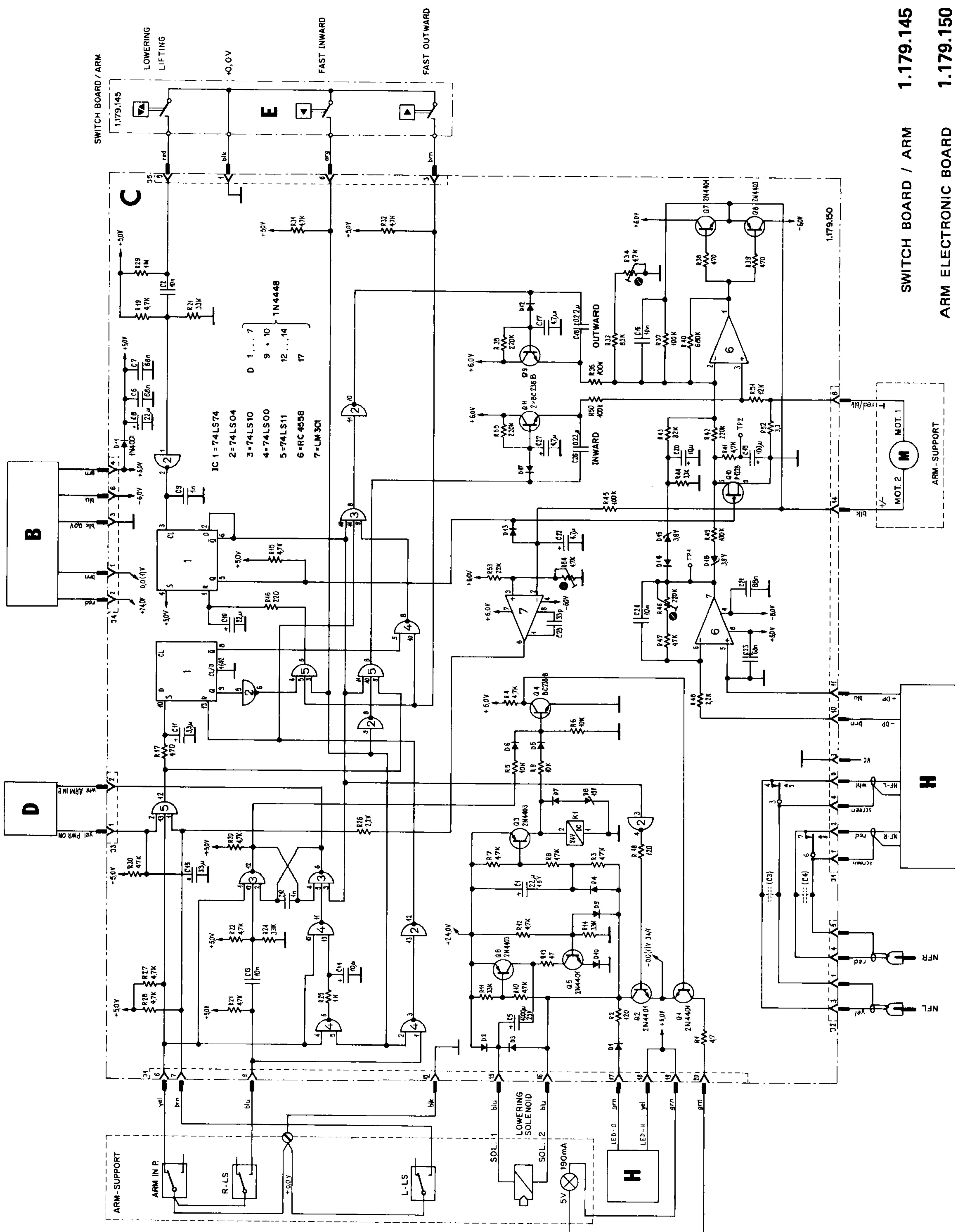
**SET OF SCHEMATICS
SCHALTUNGSSAMMLUNG
RECUEIL DE SCHEMAS**

Änderungen vorbehalten
Sous réserve de modification
Subject to change

DIAGRAMS LIST

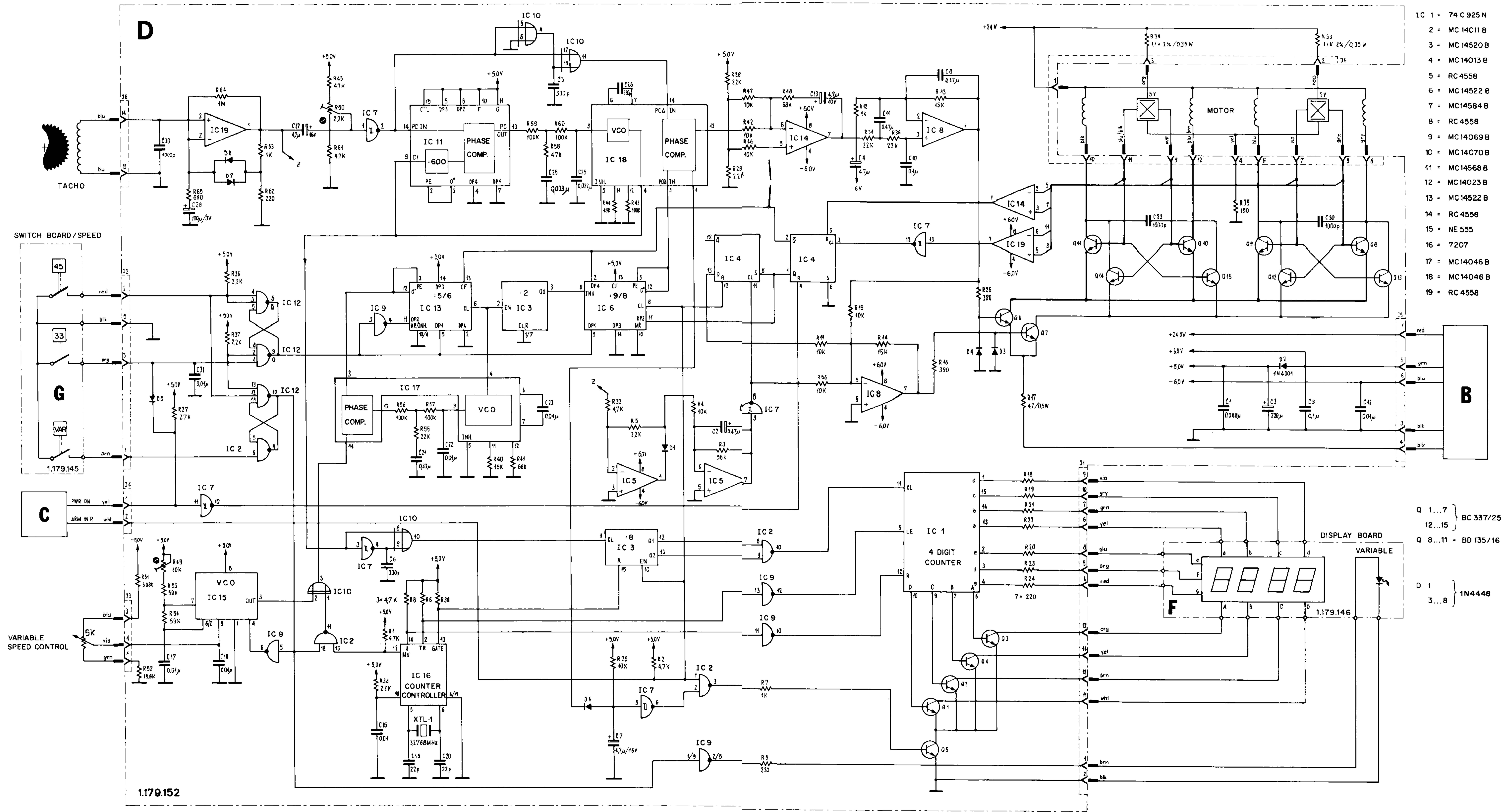
A	MAINS CONNECTION BOARD	1.179.160	PAGE 4
B	POWER SUPPLY	1.179.159	PAGE 4
C	ARM ELECTRONIC BOARD	1.179.150	PAGE 5
D	MOTOR CONTROL BOARD	1.179.152	PAGE 6 / 7
E	SWITCH BOARD / ARM	1.179.145	PAGE 5
F	DISPLAY BOARD	1.179.146	PAGE 7
G	SWITCH BOARD / SPEED	1.179.145	PAGE 6
H	PICKUP SUPPORT	1.179.116	PAGE 8
I	CONNECTOR BOARD	1.179.100--12	PAGE 9
	BLOCK DIAGRAM TONE - ARM ELECTRONIC		PAGE 10
	BLOCK DIAGRAM TURNTABLE - DRIVE		PAGE 11





SWITCH BOARD / ARM 1.179.145

ARM ELECTRONIC BOARD 1.179.150



- IC 1 = 74 C 925 N
- 2 = MC 14011 B
- 3 = MC 14520 B
- 4 = MC 14013 B
- 5 = RC 4558
- 6 = MC 14522 B
- 7 = MC 14584 B
- 8 = RC 4558
- 9 = MC 14069 B
- 10 = MC 14070 B
- 11 = MC 14568 B
- 12 = MC 14023 B
- 13 = MC 14522 B
- 14 = RC 4558
- 15 = NE 555
- 16 = 7207
- 17 = MC 14046 B
- 18 = MC 14046 B
- 19 = RC 4558

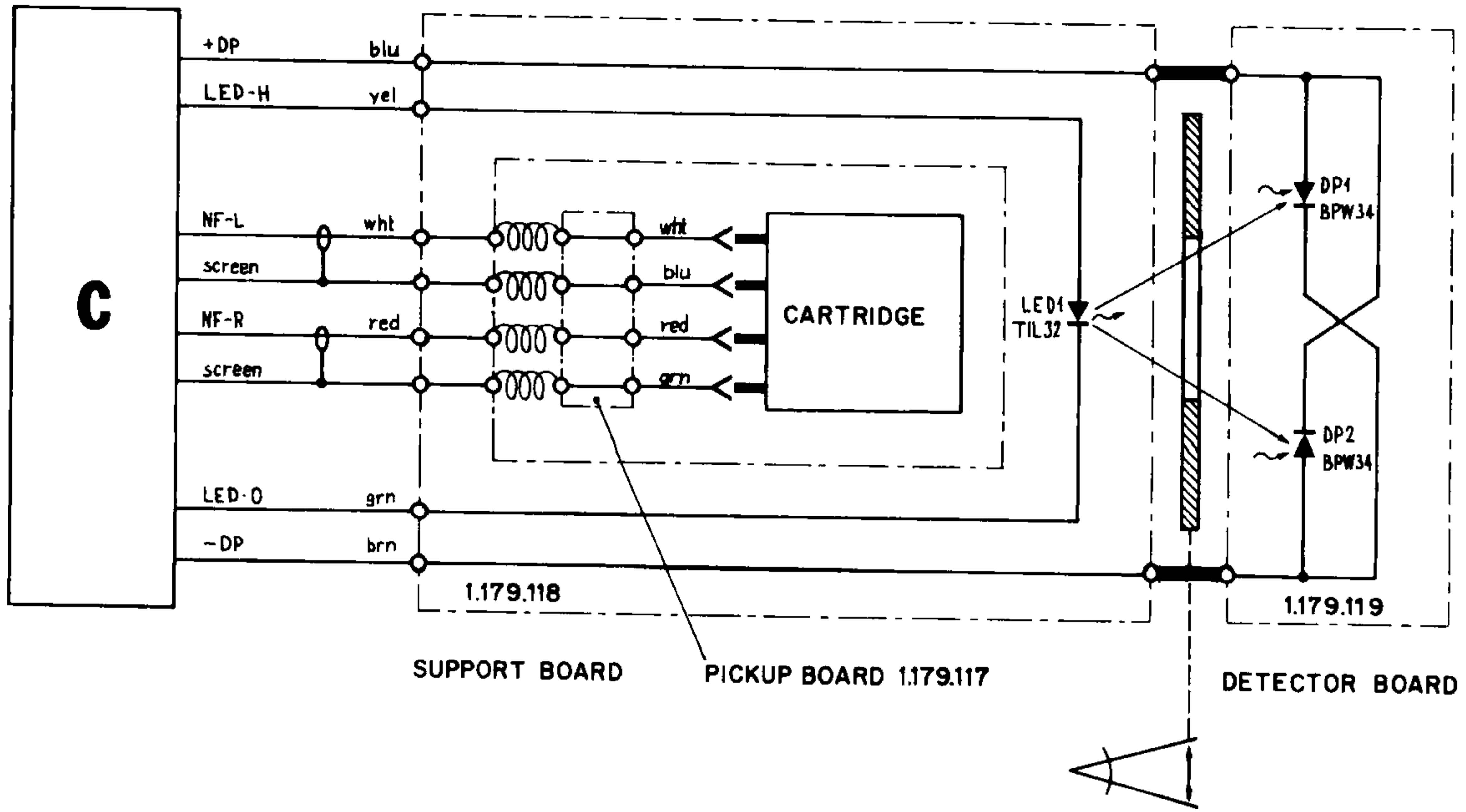
- Q 1...7 } BC 337/25
- 12...15 }
- Q 8...11 = BD 135/16
- D 1 } 1N4448
- 3...8 }

SWITCH BOARD / SPEED 1.179.145

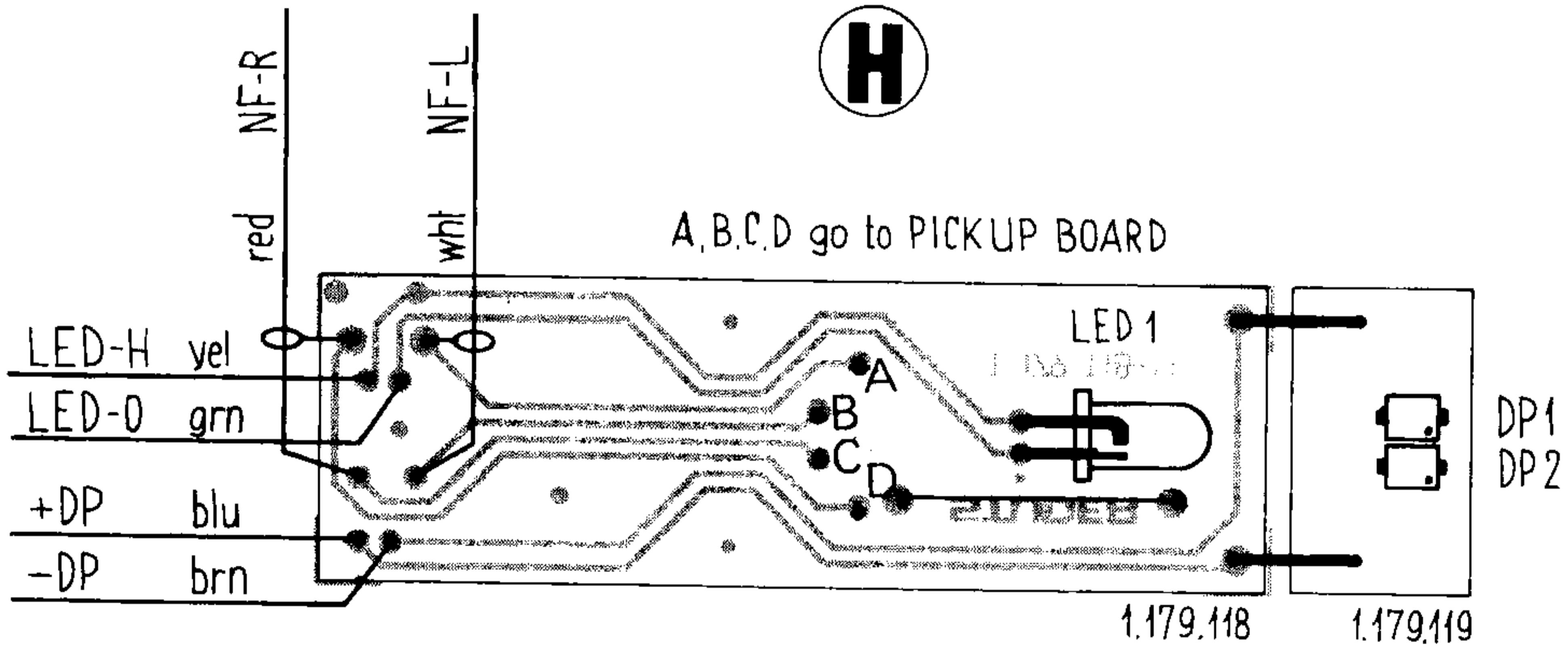
MOTOR CONTROL BOARD 1.179.152

DISPLAY BOARD 1.179.146

H

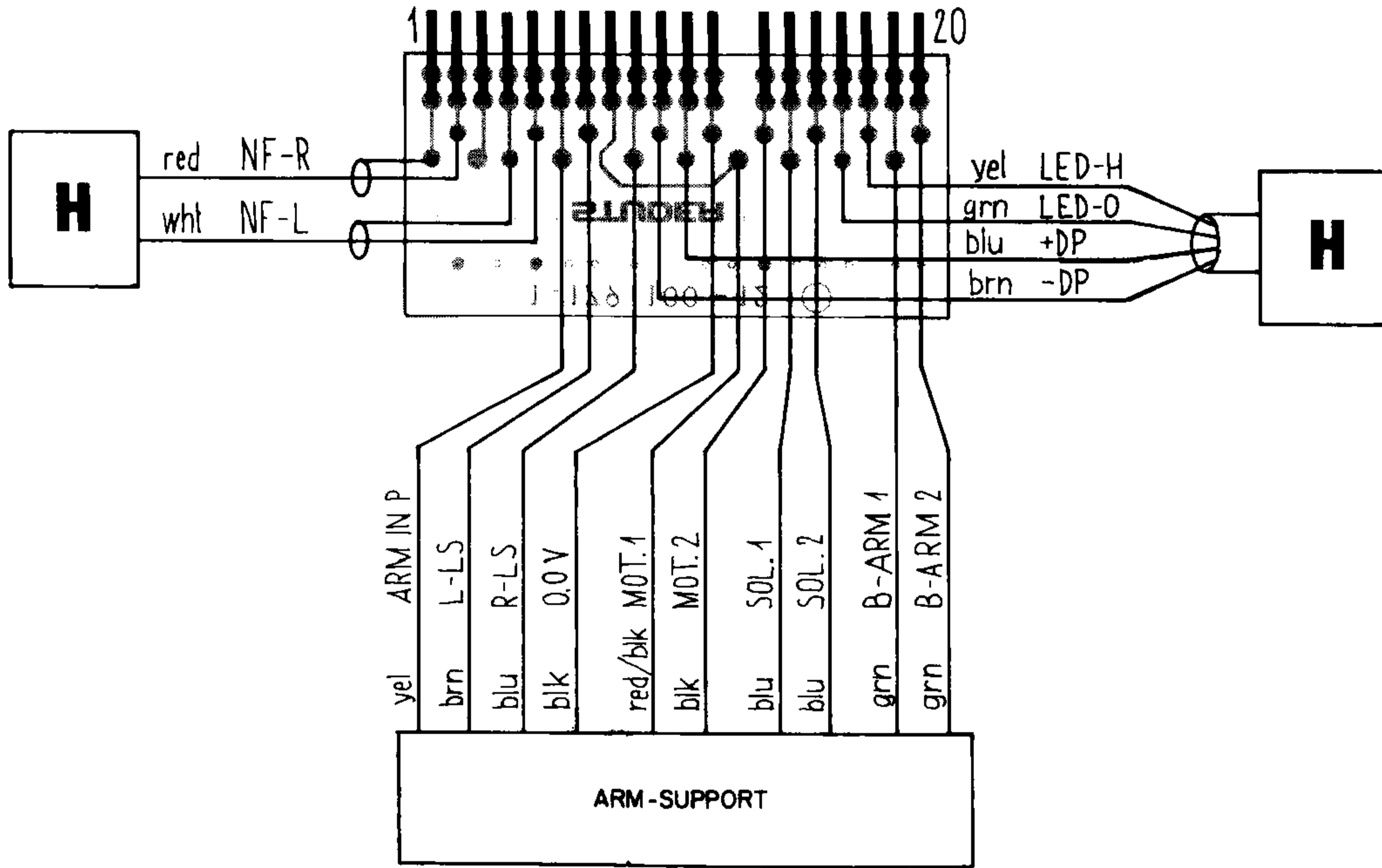
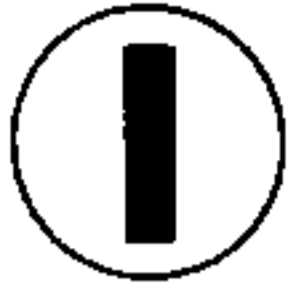


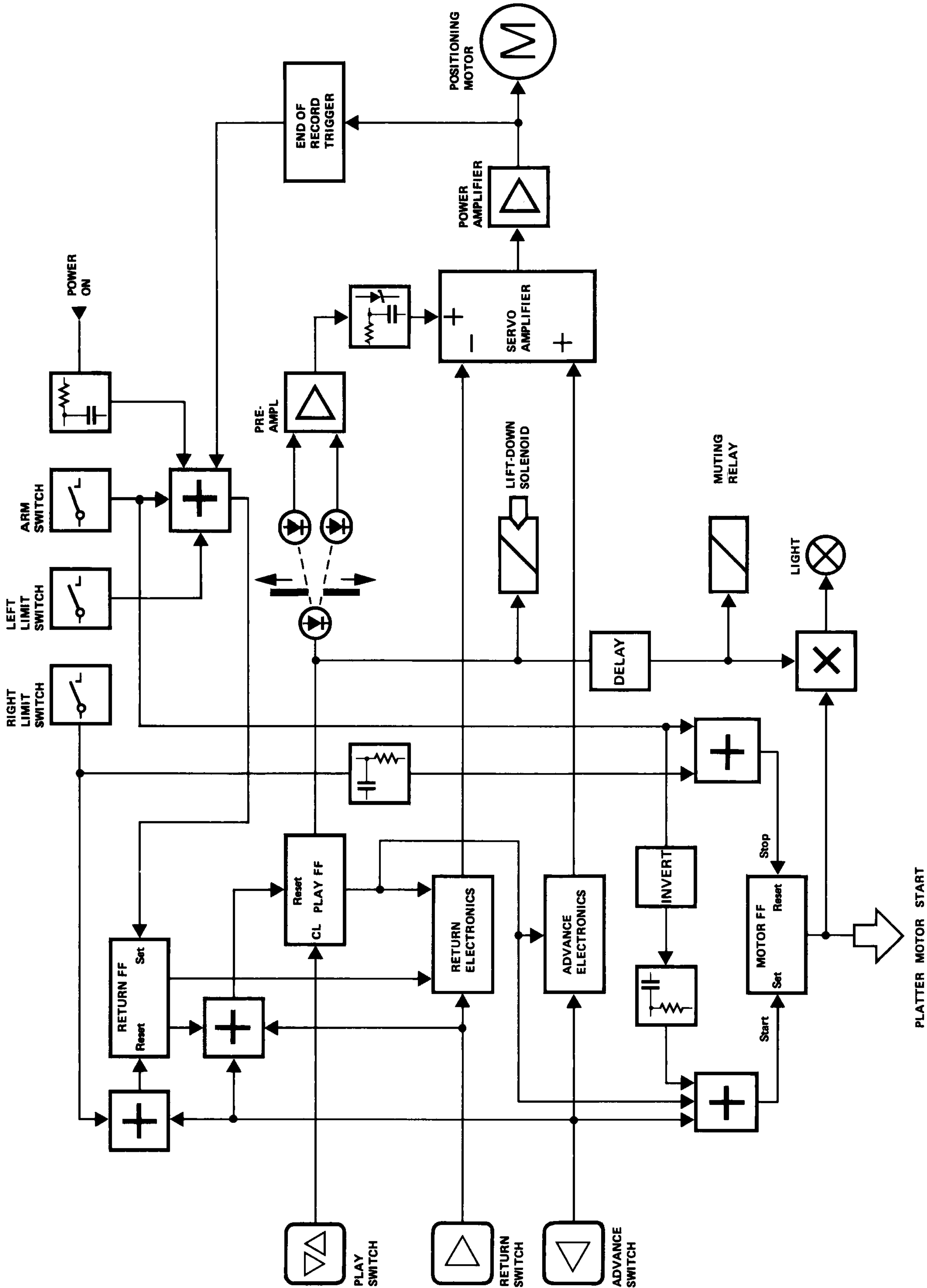
H



PICKUP SUPPORT

1.179.116





BLOCK DIAGRAM TONE - ARM ELECTRONIC

